

CS100 - 90° BOGENGÄNGIG
CS100 - 90° BEND MOBILITY

Cosmic CS100 STE



Applikationen / Applications:

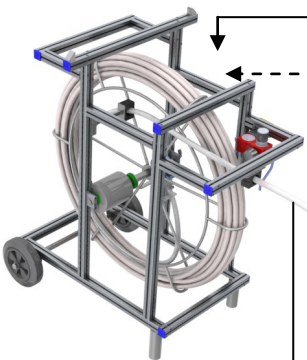
Cosmic CS100 STE FA E



Cosmic CS100 FE E 3



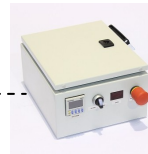
Cosmic CS100 HSP 30m
DN22 SR



Cosmic CS100 KAH DN90



Cosmic - STE UV7L



Cosmic KL L



Cosmic TH L



Cosmic CS100 FW 2



Cosmic CS100 KL L 1,25m



Cosmic B125 LK SC L DN125

